

UNLESS OTHERWISE SPECIFIED:			
DIMENSIONS ARE IN INCHES	DRAWN	NAME	DATE
TOLERANCES:	JH	JH	6.10.12
ANGULAR: MACH \pm 1	CHECKED	JH	1.4.13
TWO PLACE DECIMAL \pm .010	ENG APPR.		
THREE PLACE DECIMAL \pm .005	MFG APPR.		
DO NOT SCALE DRAWING	COMMENTS:		
MATERIAL			
FINISH			

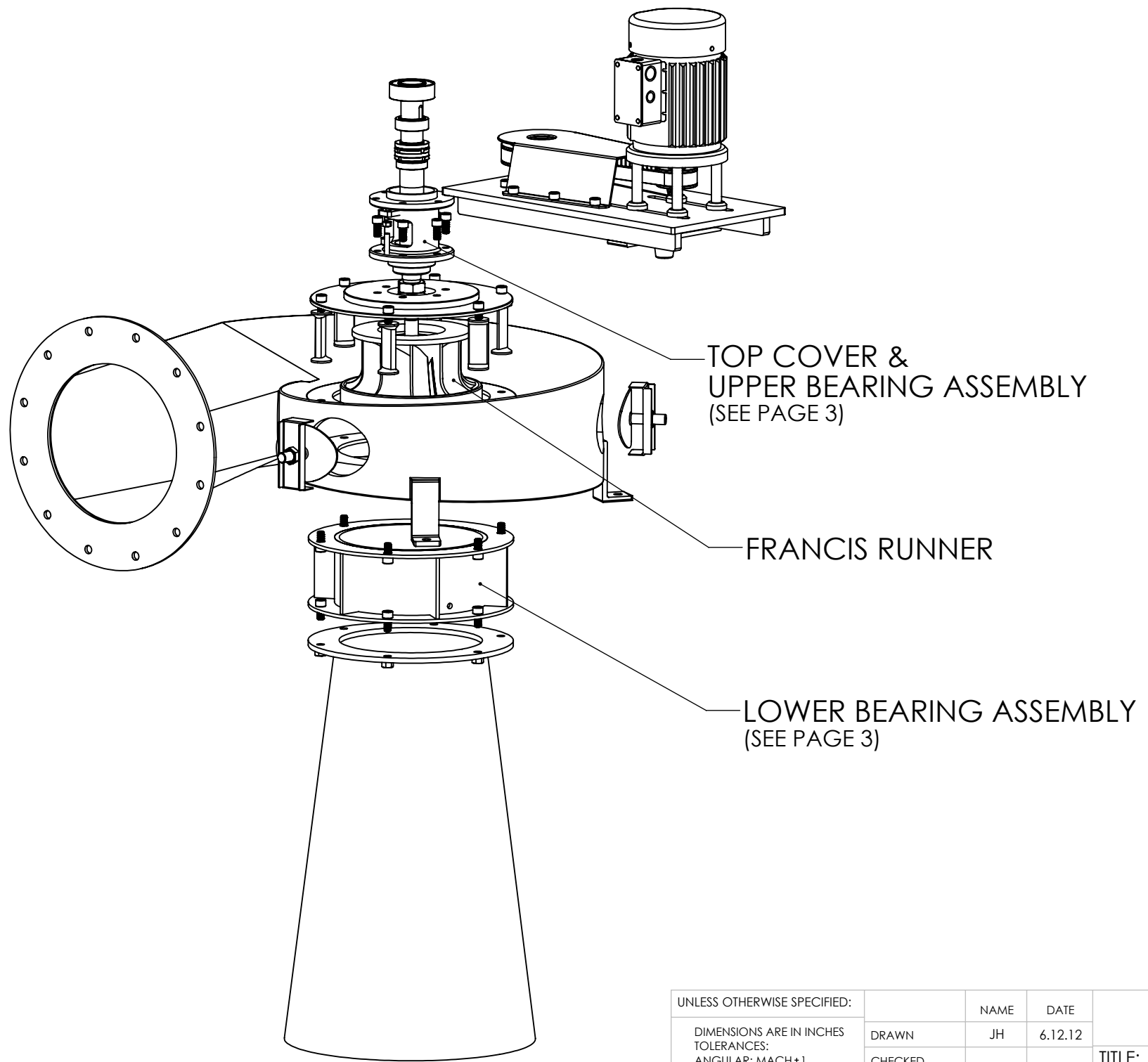
NAUTILUS TURBINES		
TITLE:		
T-MH TURBINE		
SIZE	OPERATION #	REV
B	N/A	
SCALE: 1:10 WEIGHT: 350LBS SHEET 1 OF 4		

PROPRIETARY AND CONFIDENTIAL

THE INFORMATION CONTAINED IN THIS DRAWING IS THE SOLE PROPERTY OF NAUTILUS LLC. ANY REPRODUCTION IN PART OR AS A WHOLE WITHOUT THE WRITTEN PERMISSION OF NAUTILUS LLC IS PROHIBITED.

NAUTILUS T-MH TURBINE

- FRANCIS STYLE RUNNER
- BUTTERFLY VALVE ON/OFF OPERATION
- UNREGULATED FLOW
- FOR MODERATE HEAD APPLICATIONS
 - 4 FEET TO 42 FEET OF HEAD
 - 650 WATTS TO 20KW
 - 3.0 CFS TO 9.5 CFS
 - 85 L/S TO 250 L/S



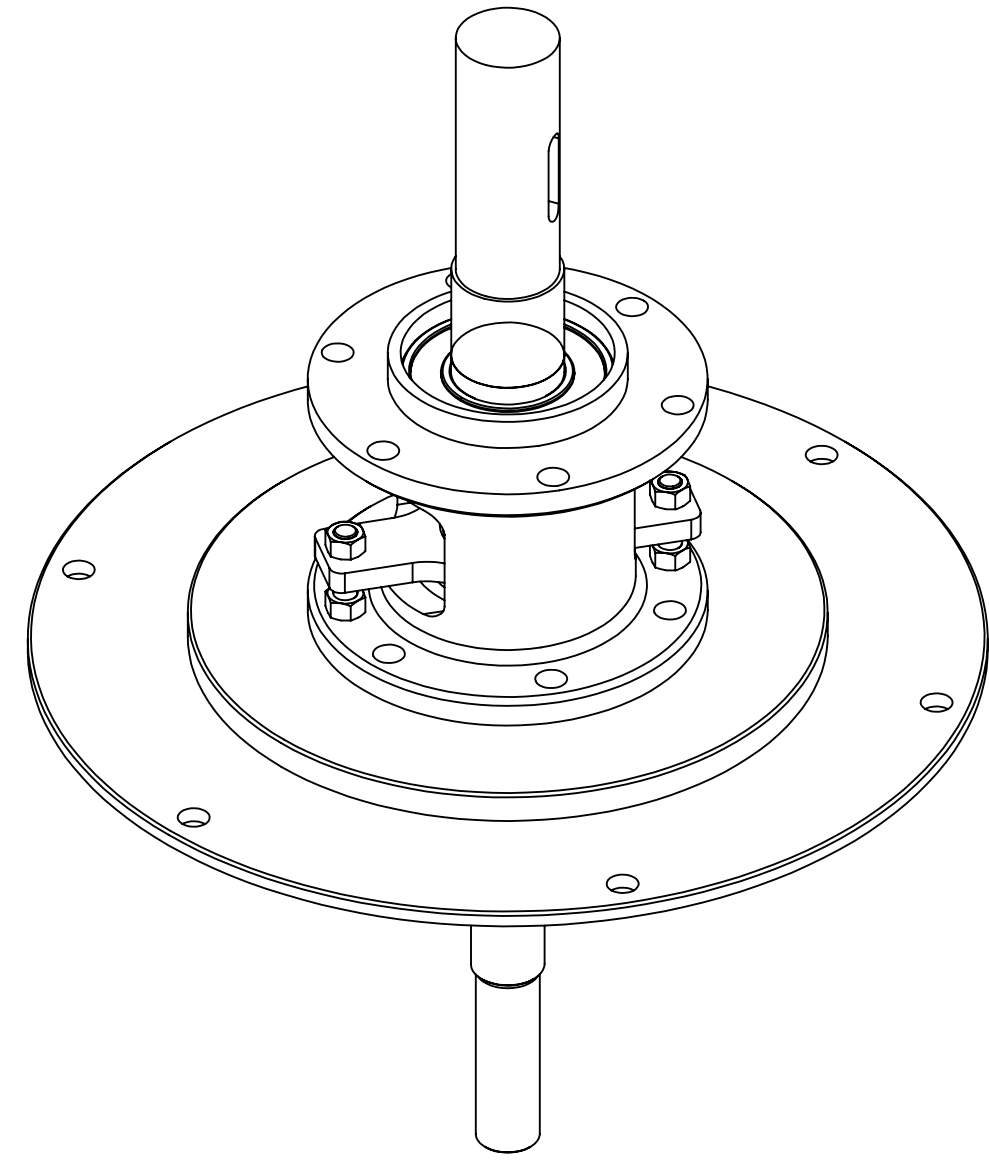
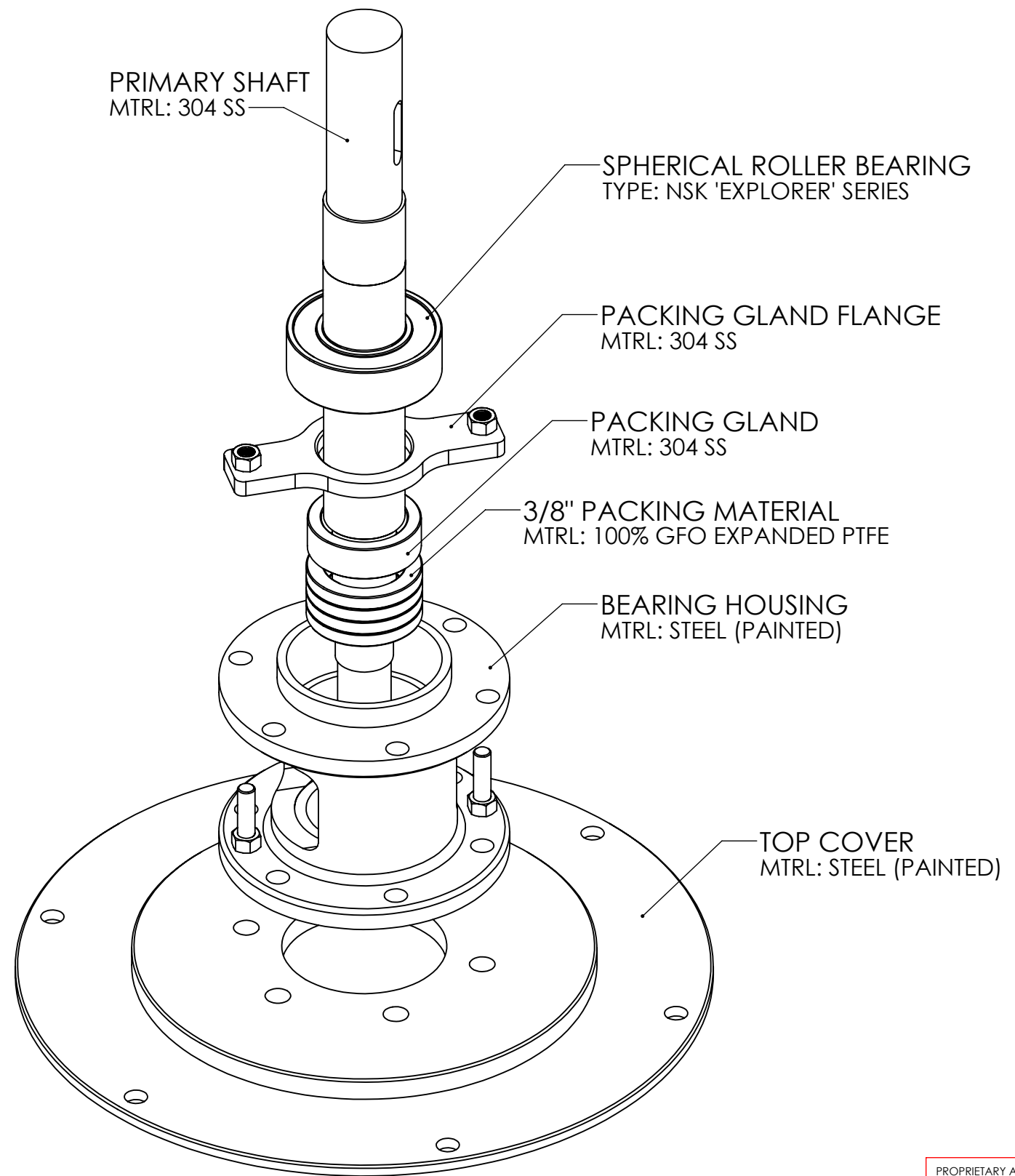
T-MH TURBINE EXPLODED VIEW

UNLESS OTHERWISE SPECIFIED:		NAME	DATE
DIMENSIONS ARE IN INCHES		DRAWN	JH 6.12.12
TOLERANCES:		CHECKED	
ANGULAR: MACH ±1		ENG APPR.	
TWO PLACE DECIMAL ±.010		MFG APPR.	
THREE PLACE DECIMAL ±.005		COMMENTS:	
DO NOT SCALE DRAWING			
MATERIAL			
FINISH			

NAUTILUS TURBINES		
TITLE:		
T-MH TURBINE		
SIZE	OPERATION #	REV
B	N/A	
SCALE: 1:10	WEIGHT: N/A	SHEET 2 OF 4

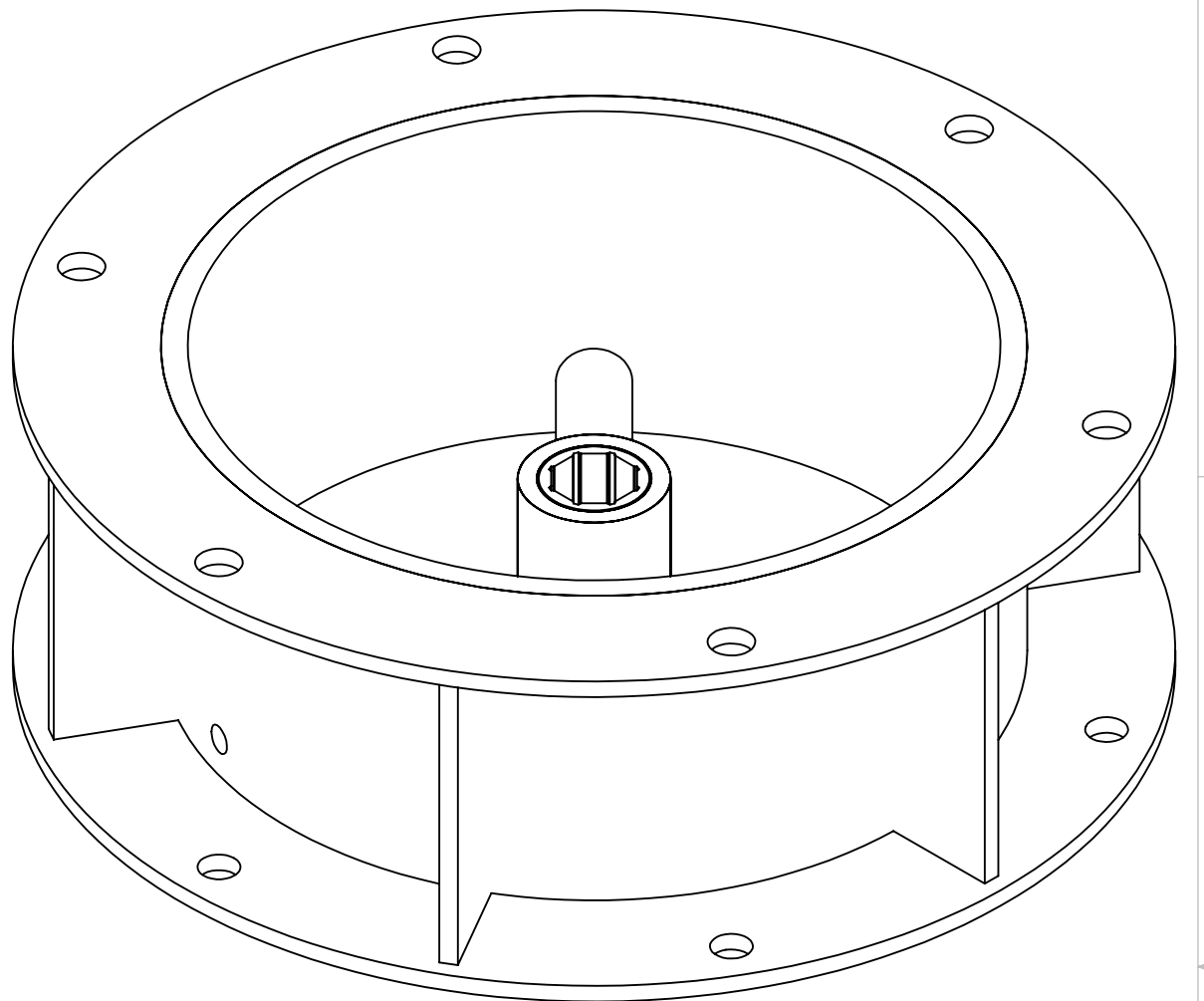
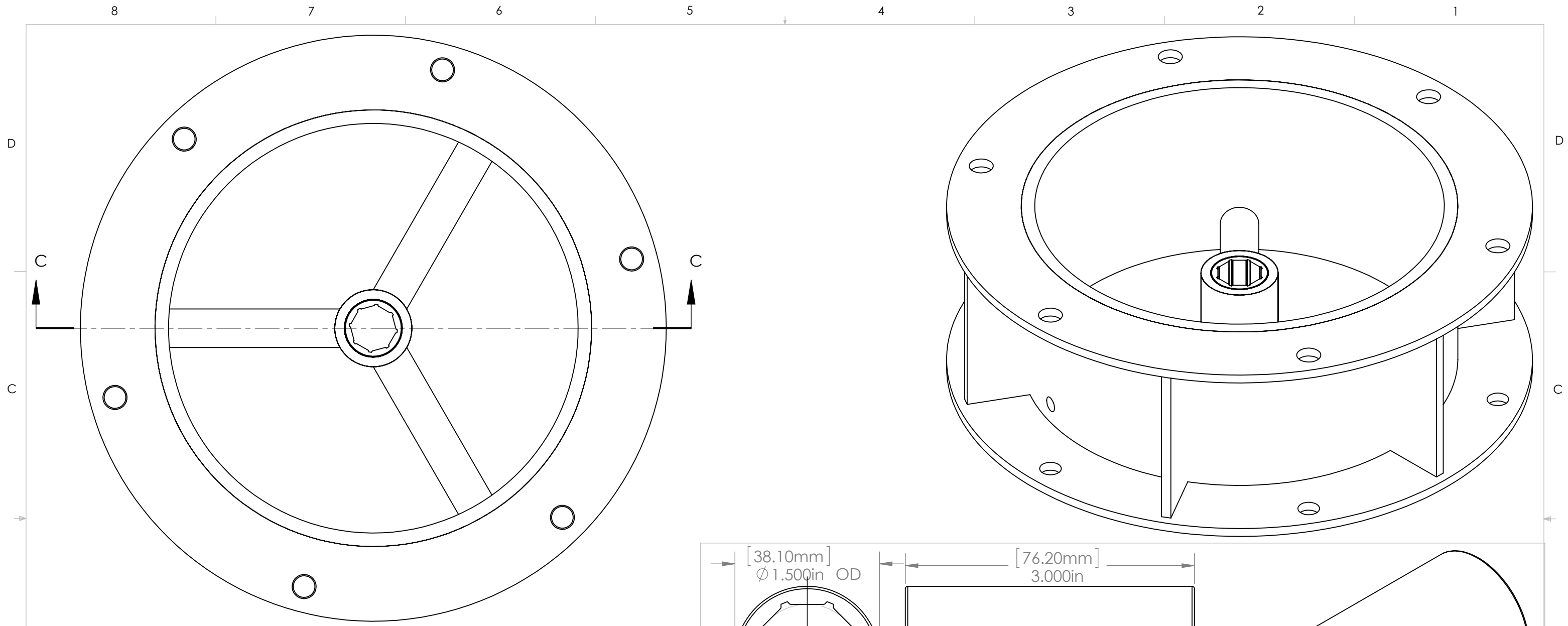
PROPRIETARY AND CONFIDENTIAL

THE INFORMATION CONTAINED IN THIS DRAWING IS THE SOLE PROPERTY OF NAUTILUS LLC. ANY REPRODUCTION IN PART OR AS A WHOLE WITHOUT THE WRITTEN PERMISSION OF NAUTILUS LLC IS PROHIBITED.

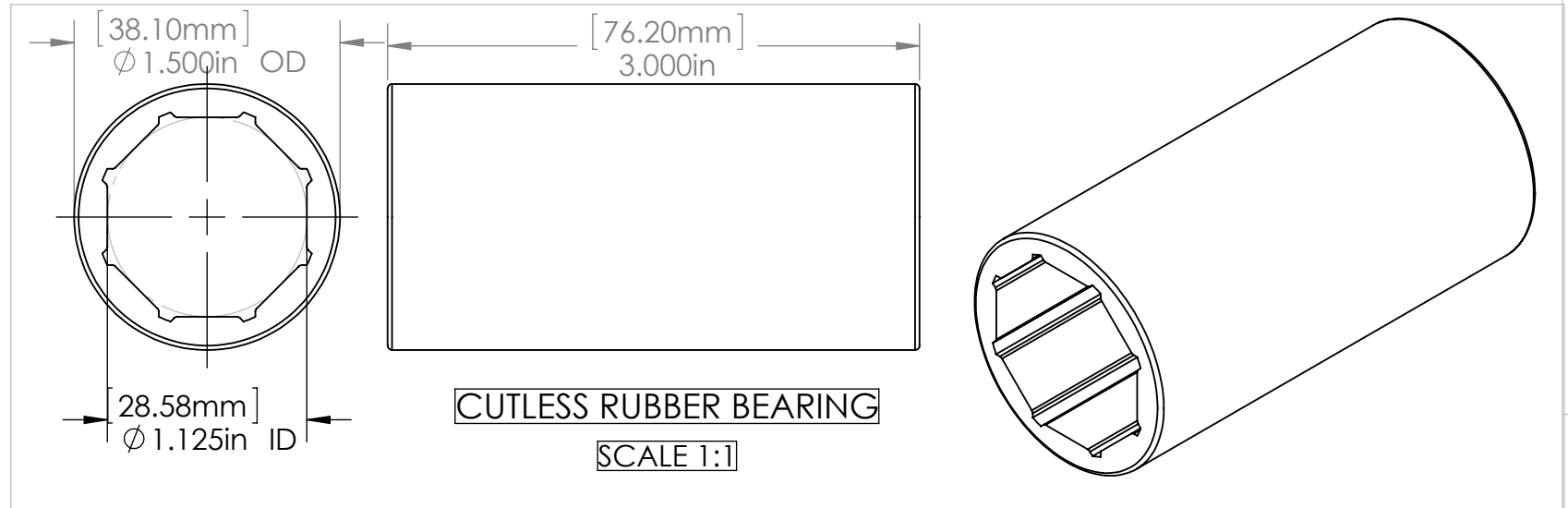


ISOMETRIC VIEW

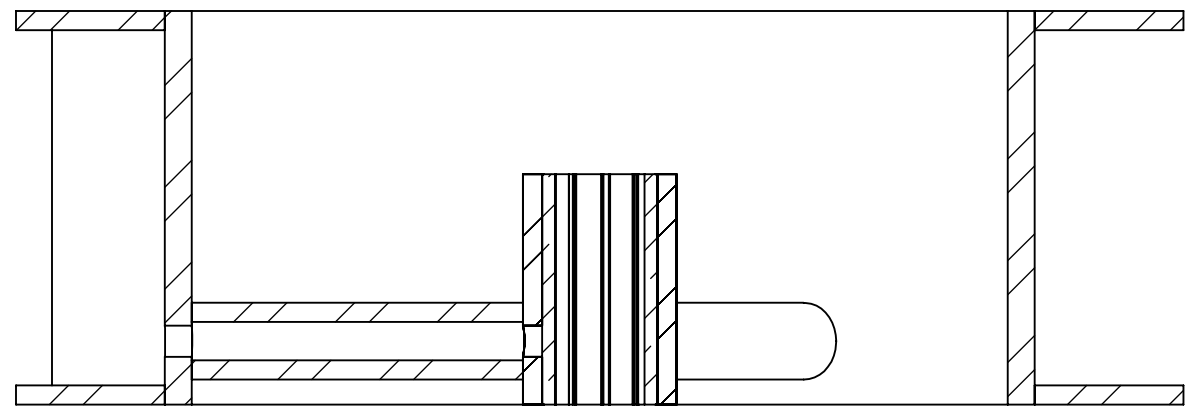
UNLESS OTHERWISE SPECIFIED:		NAME	DATE	NAUTILUS TURBINES	
DIMENSIONS ARE IN INCHES TOLERANCES: ANGULAR: MACH±1 TWO PLACE DECIMAL ±.010 THREE PLACE DECIMAL ±.005		DRAWN	JH		
DO NOT SCALE DRAWING		CHECKED			TITLE: TOP COVER ASSM
MATERIAL		ENG APPR.			
FINISH		MFG APPR.			
<p>PROPRIETARY AND CONFIDENTIAL</p> <p>THE INFORMATION CONTAINED IN THIS DRAWING IS THE SOLE PROPERTY OF NAUTILUS LLC. ANY REPRODUCTION IN PART OR AS A WHOLE WITHOUT THE WRITTEN PERMISSION OF NAUTILUS LLC IS PROHIBITED.</p>		COMMENTS:		SIZE B OPERATION # N/A REV SCALE: 1:3 WEIGHT: N/A SHEET 3 OF 4	



TOTAL DISTANCE BETWEEN UPPER AND LOWER BEARINGS: 14.500" (368.3mm)



CUTLESS RUBBER BEARING
SCALE 1:1



SECTION C-C

PROPRIETARY AND CONFIDENTIAL
THE INFORMATION CONTAINED IN THIS DRAWING IS THE SOLE PROPERTY OF NAUTILUS LLC. ANY REPRODUCTION IN PART OR AS A WHOLE WITHOUT THE WRITTEN PERMISSION OF NAUTILUS LLC IS PROHIBITED.

UNLESS OTHERWISE SPECIFIED:		NAME	DATE
DIMENSIONS ARE IN INCHES		DRAWN	JH 6.12.12
TOLERANCES:		CHECKED	
ANGULAR: MACH ±1		ENG APPR.	
TWO PLACE DECIMAL ±.010		MFG APPR.	
THREE PLACE DECIMAL ±.005		COMMENTS:	
DO NOT SCALE DRAWING			
MATERIAL			
FINISH			

NAUTILUS TURBINES		
TITLE:		
THROAT RING		
SIZE	OPERATION #	REV
B	N/A	
SCALE: 1:2.5	WEIGHT: N/A	SHEET 4 OF 4